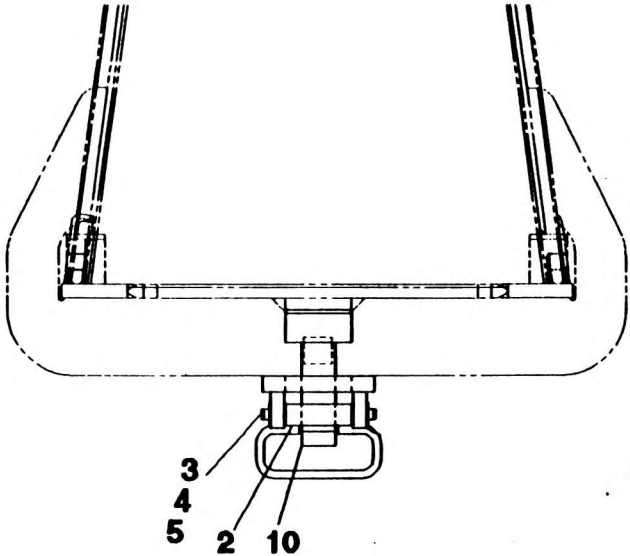
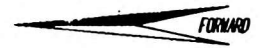
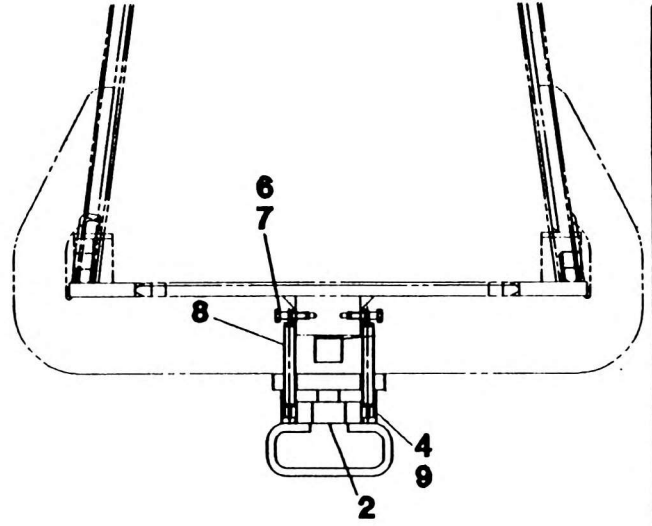
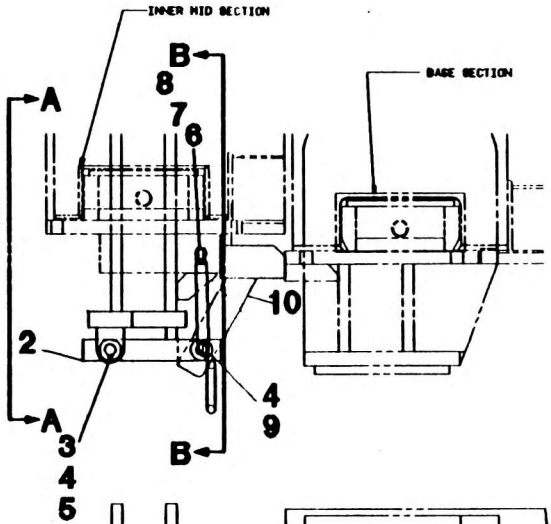


2-174-9-00120

GROVE

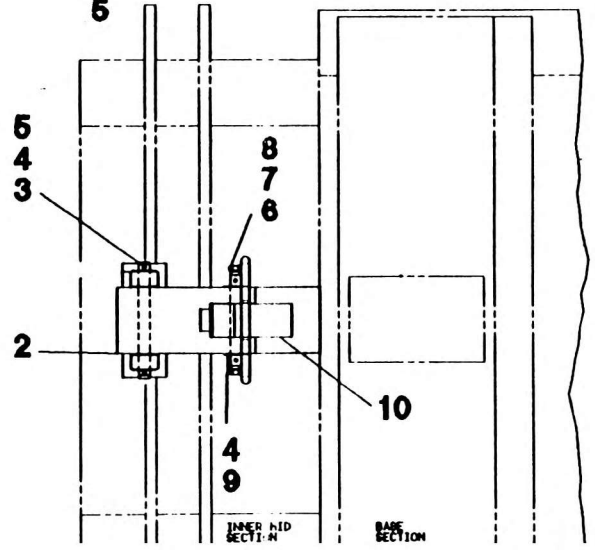


VIEW A-A



VIEW B-B

LESS ITEM NUMBERS #4, #9, & #10



INNER MID SECTION

BASE SECTION